

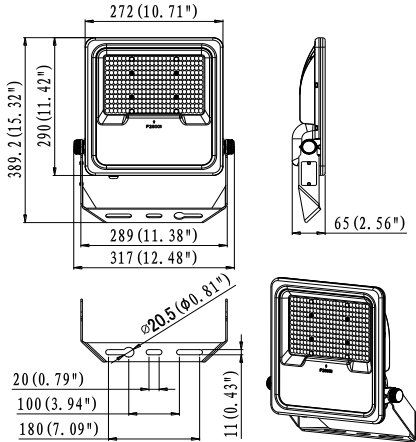
Specification - Com Lite Floods HL Models

Revision 1

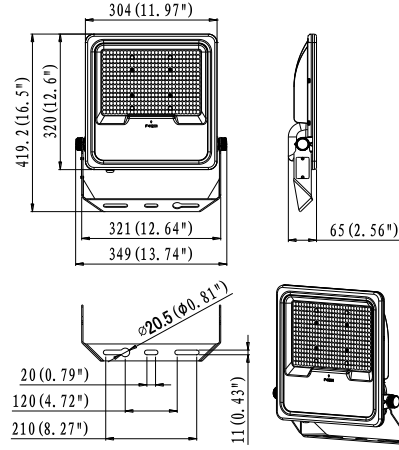


Product Information				
Model No.	DFL100HL/5	DFL150HL/5	DFL200HL/5	DFL300HL/5
Power Consumption(±5%)	100w	150w	200w	300w
Power Supply	Com Lite brand			
Input Voltage	120-240 VAC, 50-60Hz			
Power Factor	>0.90			
Driver Type	Constant Current			
LED Type	SMD			
Luminous Flux (±10%) 5000k Ra80	16440lm	24920lm	33140lm	48200lm
Optic	Asymmetrical beam			
Efficiency (4000k)	> 160lm per watt			
CCT	5000k			
Colour Rendering Index	Ra80			
Surge Protection	10KV SPD			
Class	Class I			
SCDM	< 6			
IK rating	IK08			
IP Rating	IP66			
Colour	RAL9006			
Category of Corrosion	C3			
Options				
Dimmable	Dali, DSI, 1-10v			
Emergency	Standard, self test, Dali self test (Remote)			
Applications				
Carparks, Hotels, Retail, Sports Courts and Fields, Warehouses				

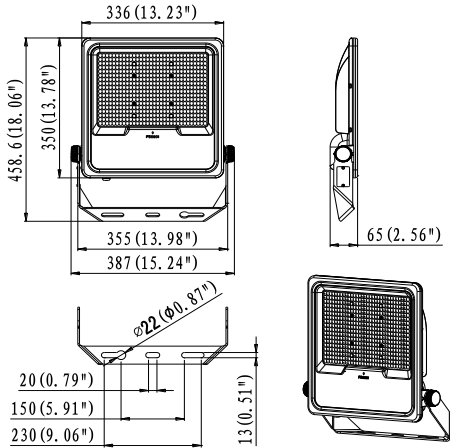
Dimensions



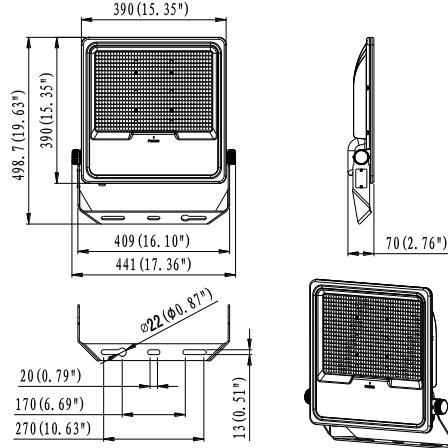
100w



150w

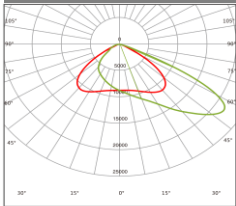


200w



300w

Beam Angle



Lifespan and Warranty

Lifetime of LED @ Ta=25°C

> 50,000hrs L80B20

Warranty

5 years