

Specification - Com Lite Floods HL Models

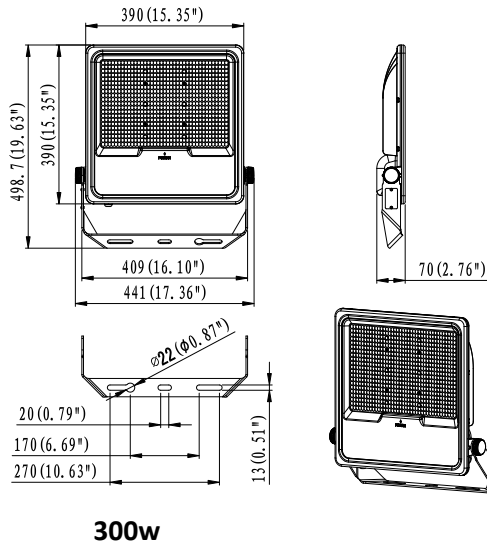
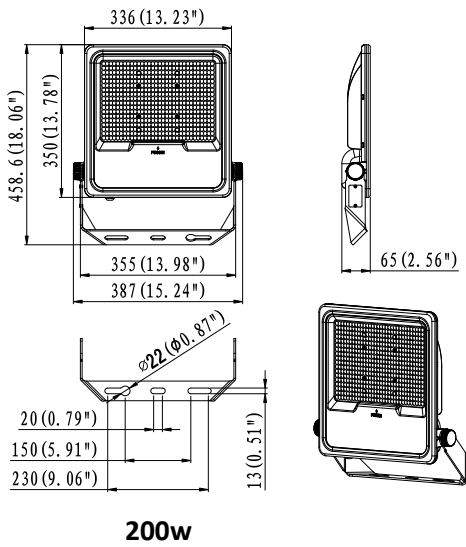
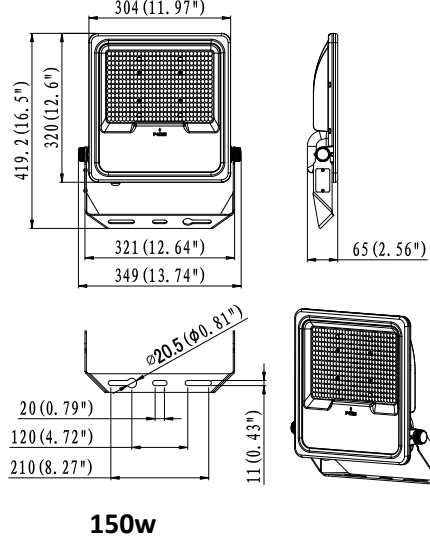
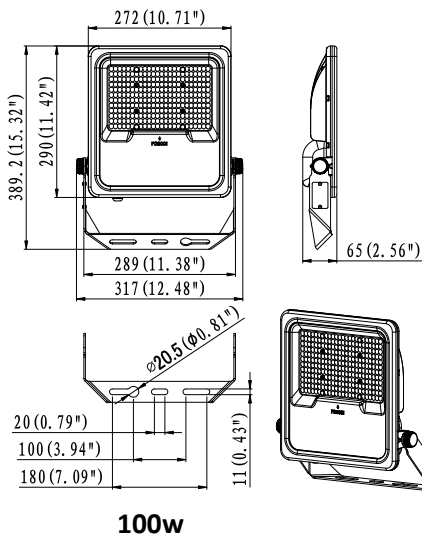
Revision 1



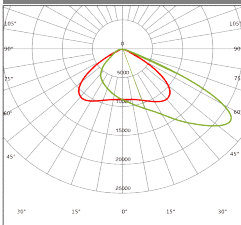
Product Information				
Model No.	DFL100HL/5	DFL150HL/5	DFL200HL/5	DFL300HL/5
Power Consumption(±5%)	100w	150w	200w	300w
Power Supply	Com Lite brand			
Input Voltage	120-240 VAC, 50-60Hz			
Power Factor	>0.90			
Driver Type	Constant Current			
LED Type	SMD			
Luminous Flux (±10%) 5000k Ra80	16440lm	24920lm	33140lm	48200lm
Optic	Asymmetrical beam			
Efficiency (4000k)	> 160lm per watt			
CCT	5000k			
Colour Rendering Index	Ra80			
Surge Protection	10KV SPD			
Class	Class I			
SCDM	< 6			
IK rating	IK08			
IP Rating	IP66			
Colour	RAL9006			
Category of Corrosion	C3			
Options				
Dimmable	Dali, DSI, 1-10v			
Emergency	Standard, self test, Dali self test (Remote)			
Applications				

Carparks, Hotels, Retail, Sports Courts and Fields, Warehouses

Dimensions



Beam Angle



Lifespan and Warranty

Lifetime of LED @ Ta=25°C

> 50,000hrs L80B20

Warranty

5 years